

Ürün Özellikleri

Diş normları : PG DIN 46320

: Metrik EN 60423

: NPT ANSI B1.20.1

: GAS ISO 228

Sızdırmazlık : IP 68

Isıya dayanımı : -40° C +80° C

Hammadesi : Pirinç (MS 58)

İşaretleme : IEP 12 ATEX 106X

II 2GD Ex d IIC EX Td A21

Direktif : 94/9/EC



CWY Serisi Exproof Pirinç Kablo Rakorları

Anma Ölçüsü	Kod No	Montaj Çap "Ø"	Diş Boyu	A Kablo Çapı "Ø"		B Kablo Çapı "Ø"		Kutu
		(mm)	(mm)	Max	Max	Min	Max	Adet
M12x1,5	CWY.05.012	12,0	15,0	3,0	6,5	4,0	9,0	50,0
M16x1,5	CWY.05.016	16,0	15,0	4,0	9,0	11,0	13,5	50,0
M20x1,5 s	CWY.05.019	20,0	15,0	6,0	11,0	11,0	15,0	50,0
M20x1,5	CWY.05.020	20,0	15,0	8,0	13,0	15,0	20,0	50,0
M20x1,5L	CWY.05.021	20,0	15,0	9,0	15,0	17,0	22,0	50,0
M25x1,5s	CWY.05.024	25,0	15,0	10,0	17,0	17,0	22,0	50,0
M25x1,5	CWY.05.025	25,0	15,0	11,0	19,0	20,0	27,0	50,0
M25x1,5L	CWY.05.026	25,0	15,0	14,0	19,0	22,0	30,0	50,0
M32x1,5s	CWY.05.031	32,0	15,0	14,0	22,0	20,0	27,0	25,0
M32x1,5	CWY.05.032	32,0	15,0	17,0	26,0	26,0	33,0	25,0
M32x1,5L	CWY.05.033	32,0	15,0	20,0	27,0	28,0	37,0	25,0
M40x1,5s	CWY.05.039	40,0	15,0	22,0	30,0	28,0	37,0	25,0
M40x1,5	CWY.05.040	40,0	15,0	22,0	32,0	31,0	40,0	20,0
M40x1,5L	CWY.05.041	40,0	15,0	26,0	33,0	36,0	45,0	20,0
M50x1,5s	CWY.05.049	50,0	15,0	29,0	37,0	36,0	45,0	20,0
M50x1,5	CWY.05.050	50,0	15,0	34,0	44,0	43,0	54,0	15,0
M50x1,5L	CWY.05.051	50,0	15,0	36,0	45,0	49,0	59,0	15,0

Ürün Özellikleri

Diş normları : PG DIN 46320

: Metrik EN 60423

: NPT ANSI B1.20.1

: GAS ISO 228

Sızdırmazlık : IP 68

Isıya dayanımı : -40° C +80° C

Hammadesi : Pirinç (MS 58)

İşaretleme : IEP 12 ATEX 106X

II 2GD Ex d IIC EX Td A21

Direktif : 94/9/EC



CWY Serisi Exproof Pirinç Kablo Rakorları

Anma Ölçüsü	Kod No	Montaj Çap "Ø"	Diş Boyu	A Kablo Çapı "Ø"		B Kablo Çapı "Ø"		Kutu
		(mm)	(mm)	Max	Max	Min	Max	Adet
M63x1,5s	CWY.05.062	63,0	15,0	40,0	49,0	49,0	59,0	15,0
M63x1,5	CWY.05.063	63,0	15,0	47,0	54,0	58,0	64,0	10,0
M63x1,5L	CWY.05.064	63,0	15,0	49,0	56,0	60,0	69,0	10,0
M75x1,5s	CWY.05.074	75,0	16,0	53,0	64,0	61,0	72,0	10,0
M75x1,5	CWY.05.075	75,0	16,0	59,0	68,0	65,0	78,0	5,0
M80x2s	CWY.05.079	80,0	16,0	60,0	69,0	65,0	78,0	5,0
M80x2	CWY.05.080	80,0	16,0	61,0	72,0	73,0	83,0	4,0
M90x2s	CWY.05.089	90,0	18,0	65,0	78,0	73,0	83,0	4,0
M90x2	CWY.05.090	90,0	18,0	67,0	78,0	77,0	89,0	2,0
M90x2L	CWY.05.091	90,0	18,0	73,0	82,0	86,0	98,0	2,0
M100x2s	CWY.05.099	100,0	20,0	70,0	83,0	77,0	89,0	2,0
M100x2	CWY.05.100	100,0	20,0	75,0	89,0	86,0	98,0	1,0
M110x2	CWY.05.110	110,0	20,0	87,0	98,0	95,0	110,0	1,0
M118x2	CWY.05.118	118,0	20,0	95,0	110,0	115,0	130,0	1,0

Ürün Özellikleri

Diş normları : PG DIN 46320

: Metrik EN 60423

: NPT ANSI B1.20.1

: GAS ISO 228

Sızdırmazlık : IP 68

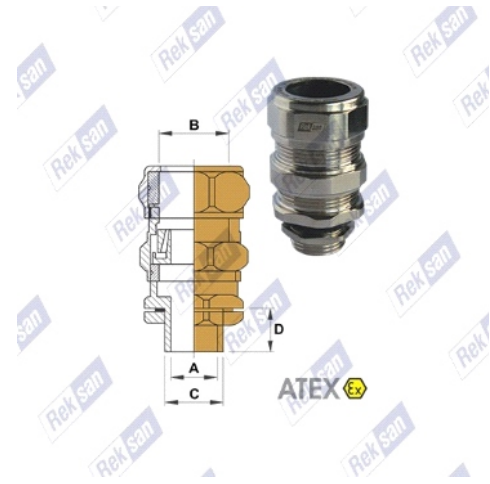
Isıya dayanımı : -40° C +80° C

Hammadesi : Pirinç (MS 58)

İşaretleme : IEP 12 ATEX 106X

II 2GD Ex d IIC EX Td A21

Direktif : 94/9/EC



CWY Serisi Exproof Pirinç Kablo Rakorları

Anma Ölçüsü	Kod No	Montaj Çap "Ø"	Diş Boyu	A Kablo Çapı "Ø"		B Kablo Çapı "Ø"		Kutu
		(mm)	(mm)	Max	Max	Min	Max	Adet
PG-7	CWY.05.412	12,5	15,0	3,0	6,5	4,0	9,0	50,0
PG-9	CWY.05.416	15,5	15,0	4,0	9,0	11,0	13,5	50,0
PG-13,5	CWY.05.419	20,5	15,0	6,0	11,0	11,0	15,0	50,0
PG-16s	CWY.05.420	22,5	15,0	8,0	13,0	15,0	20,0	50,0
PG-16	CWY.05.421	22,5	15,0	9,0	15,0	17,0	22,0	50,0
PG-21s	CWY.05.424	28,5	15,0	10,0	17,0	17,0	22,0	50,0
PG-21	CWY.05.425	28,5	15,0	11,0	19,0	20,0	27,0	50,0
PG-21L	CWY.05.426	28,5	15,0	14,0	19,0	22,0	30,0	50,0
PG-29s	CWY.05.431	37,5	15,0	14,0	22,0	20,0	27,0	25,0
PG-29	CWY.05.432	37,5	15,0	17,0	26,0	26,0	33,0	25,0
PG-29L	CWY.05.433	37,5	15,0	20,0	27,0	28,0	37,0	25,0
PG-36s	CWY.05.439	47,0	15,0	22,0	30,0	28,0	37,0	25,0
PG-36	CWY.05.440	47,0	15,0	22,0	32,0	31,0	40,0	20,0
PG-36L	CWY.05.441	47,0	15,0	26,0	33,0	36,0	45,0	20,0
PG-36	CWY.05.449	47,0	15,0	29,0	37,0	36,0	45,0	20,0
PG-42s	CWY.05.450	55,0	15,0	34,0	44,0	43,0	54,0	15,0
PG-42	CWY.05.451	55,0	15,0	36,0	45,0	49,0	59,0	15,0
PG-48	CWY.05.462	60,0	15,0	40,0	49,0	49,0	59,0	15,0

Ürün Özellikleri

Diş normları : PG DIN 46320

: Metrik EN 60423

: NPT ANSI B1.20.1

: GAS ISO 228

Sızdırmazlık : IP 68

Isıya dayanımı : -40° C +80° C

Hammadesi : Piring (MS 58)

İşaretleme : IEP 12 ATEX 106X

II 2GD Ex d IIC EX Td A21

Direktif : 94/9/EC



CWY Serisi Exproof Piring Kablo Rakorları

Anma Ölçüsü	Kod No	Montaj Çap "Ø"	Diş Boyu	A Kablo Çapı "Ø"		B Kablo Çapı "Ø"		Kutu
		(mm)	(mm)	Max	Max	Min	Max	Adet
1/4" NPT	CWY.05.212	13,5	16,0	3,0	6,5	4,0	9,0	50,0
3/8" NPT	CWY.05.216	17,0	16,0	4,0	9,0	11,0	13,5	50,0
1/2"s NPT	CWY.05.219	21,3	18,0	6,0	11,0	11,0	15,0	50,0
1/2" NPT	CWY.05.220	21,3	18,0	8,0	13,0	15,0	20,0	50,0
1/2"L NPT	CWY.05.221	21,3	18,0	9,0	15,0	17,0	22,0	50,0
3/4"s NPT	CWY.05.224	26,7	18,0	10,0	17,0	17,0	22,0	50,0
3/4" NPT	CWY.05.225	26,7	18,0	11,0	19,0	20,0	27,0	50,0
3/4"L NPT	CWY.05.226	26,7	18,0	14,0	19,0	22,0	30,0	50,0
1"s NPT	CWY.05.231	33,5	20,0	14,0	22,0	20,0	27,0	25,0
1" NPT	CWY.05.232	33,5	20,0	17,0	26,0	26,0	33,0	25,0
1"L NPT	CWY.05.233	33,5	20,0	20,0	27,0	28,0	37,0	25,0
1-1/4"s NPT	CWY.05.239	42,2	20,0	22,0	30,0	28,0	37,0	25,0
1-1/4" NPT	CWY.05.240	42,2	20,0	22,0	32,0	31,0	40,0	20,0
1-1/2s NPT	CWY.05.241	48,1	20,0	26,0	33,0	36,0	45,0	20,0
1-1/2" NPT	CWY.05.249	48,1	20,0	29,0	37,0	36,0	45,0	20,0
2"s NPT	CWY.05.250	59,9	20,0	34,0	44,0	43,0	54,0	15,0
2" NPT	CWY.05.251	59,9	20,0	36,0	45,0	49,0	59,0	15,0
2-1/4" NPT	CWY.05.262	66,0	22,0	40,0	49,0	49,0	59,0	15,0
2-1/2"s NPT	CWY.05.263	75,5	22,0	47,0	54,0	58,0	64,0	10,0
2-1/2" NPT	CWY.05.264	75,5	22,0	49,0	56,0	60,0	69,0	10,0
2-1/2"L NPT	CWY.05.274	75,5	22,0	53,0	64,0	61,0	72,0	10,0
2-3/4" NPT	CWY.05.275	81,8	22,0	59,0	68,0	65,0	78,0	5,0
3" NPT	CWY.05.279	88,2	22,0	60,0	69,0	65,0	78,0	5,0
3"s NPT	CWY.05.280	88,2	22,0	61,0	72,0	73,0	83,0	2,0
3" NPT	CWY.05.289	88,2	22,0	65,0	78,0	73,0	83,0	2,0
3" NPT	CWY.05.290	88,2	22,0	67,0	78,0	77,0	89,0	1,0
3-3/4" NPT	CWY.05.291	107,0	22,0	73,0	82,0	86,0	98,0	1,0
3-1/2"s NPT	CWY.05.292	100,6	22,0	70,0	83,0	77,0	89,0	1,0
3-1/2" NPT	CWY.05.293	100,6	22,0	75,0	89,0	86,0	98,0	1,0
4" NPT	CWY.05.294	113,3	22,0	87,0	98,0	95,0	110,0	1,0
4-1/2" NPT	CWY.05.295	126,0	22,0	95,0	110,0	115,0	130,0	1,0